

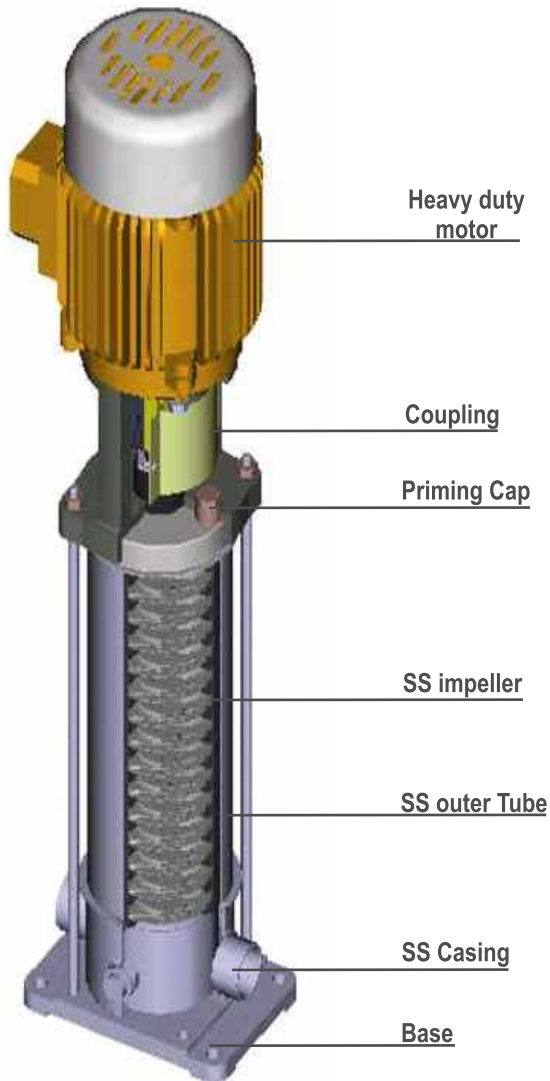
Fisher

INNOVATIONTM

built to
last

**MULTISTAGE
INDUSTRIAL
PUMPS**





Features



Cartridge Type Mechanical Seal For Easy Maintenance



Teflon Stage Rings For Efficiency Improvement

Stainless Steel Rotating Parts

Silicon Carbide Tungsten Carbide Shaft Bearing

Space Saving Vertical Design

Viton Seal Parts



120°C

SS inlet & outlet Flange Connection or C I inlet & outlet Threaded Connection

Applications:

- R.O . Plant.
- High Rise Buildings.
- Boiler Feeding Systems.
- Industrial Plants.
- Water Supply & Treatment.
- Car & Bike Washing.
- Pharmaceuticals Industrials Application.
- Nuclear Rector Water Feeding.
- Leather Industries.
- Dairy Mineral Water Plant.